

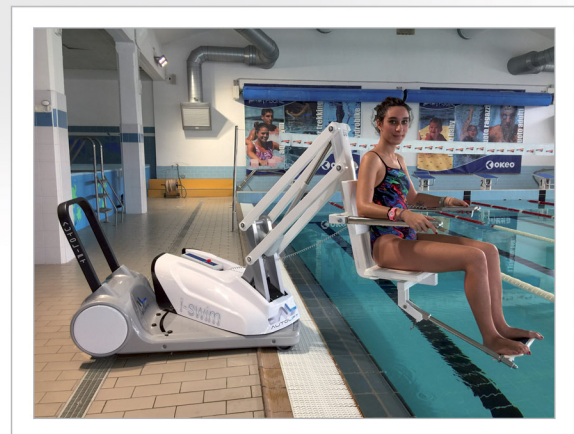


# i-swim2

Push your  
boundaries

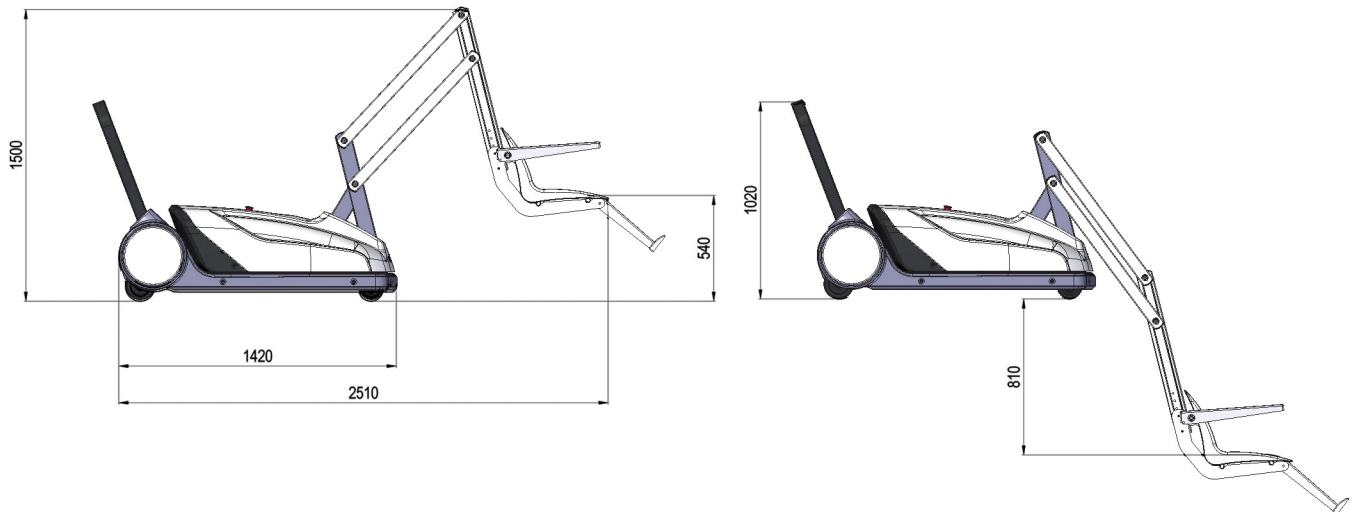


Suitable for every kind of swimming pool deck



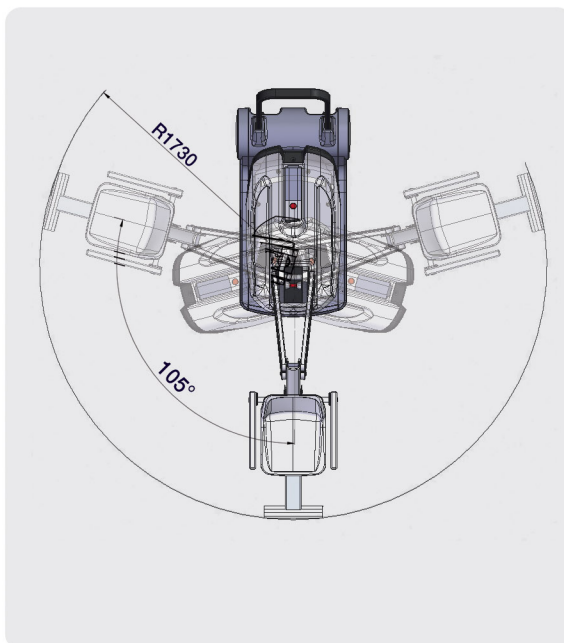
Turning seat for independent swimming pool access

## *I-swim 2 enables independent swimming pool access*



**LIFT DIMENSION**

**TECHNICAL FEATURES**



Structure Materials	Aluminum / Stainless Steel
Nr of Wheels	4 (2 with brake)
Lifting structure	Parallelogram
Painting	Powder Coating
Lifting Capacity	136 Kg
Own Weight	ca. 300 Kg
Voltage	24V
Battery datas	Range 50 cycles with charge indicator
Battery Charger	Included
Instruments	Pendant remote control Emergency Stop Button on the battery

**I-Swim complies the following regulations:**

Directive 2006/42/CE  
 Directive 2004/108/EC  
 UNI EN ISO 10535  
 93/42/CEE

Machine Directive  
 EMC Electromagnetic Compatibility  
 Hoist For The Transfer of Disabled Persons  
 Medical Device Directive