

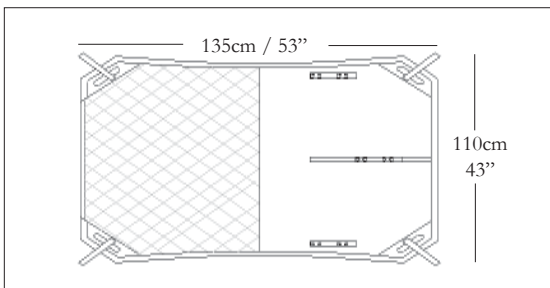
with a growing
bariatric
population...

the risk of caregiver
lifting related
back injury has never
been greater!

the new
V10
high capacity track lift



It's the solution you have
been looking for to ensure the safe and
dignified transfer of your
non-ambulatory bariatric patients.



TOB-HA
bariatric sling
rated for
450+ kg /
1000+ lbs.

FEATURES:

- 1000 lbs. / 450 kg. capacity
- electronic soft-start and soft-stop
- emergency lowering device
- emergency stopping device
- clip-on charging station
- return to charge option
- emergency brake
- low battery lift limiter
- overload circuit protection

350cm / 138"

242cm / 95"



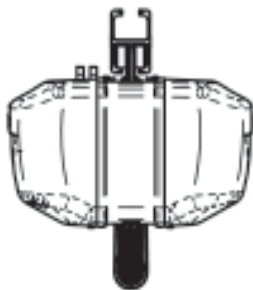
100cm / 39"

SEMI-PERMANENT RACK

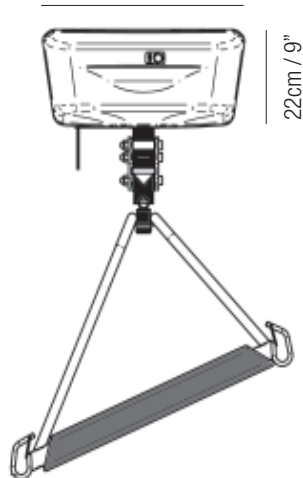
The V10 system can be installed on a permanent ceiling mounted track or the flexibility of a free standing semi-permanent rack is available.

V10 LIFT UNIT DIMENSIONS

35cm / 14"



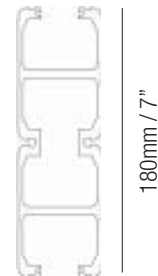
48cm / 19"



22cm / 9"

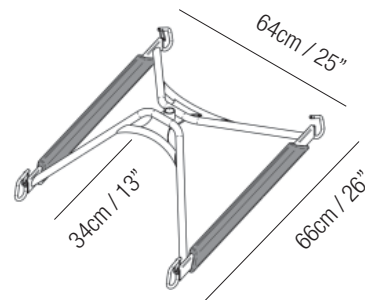
KWIKtrak DIMENSIONS

available in 3.5, 4.5 & 6 meter lengths



180mm / 7"

BARIATRIC CARRY BAR DIMENSIONS



64cm / 25"

34cm / 13"

66cm / 26"